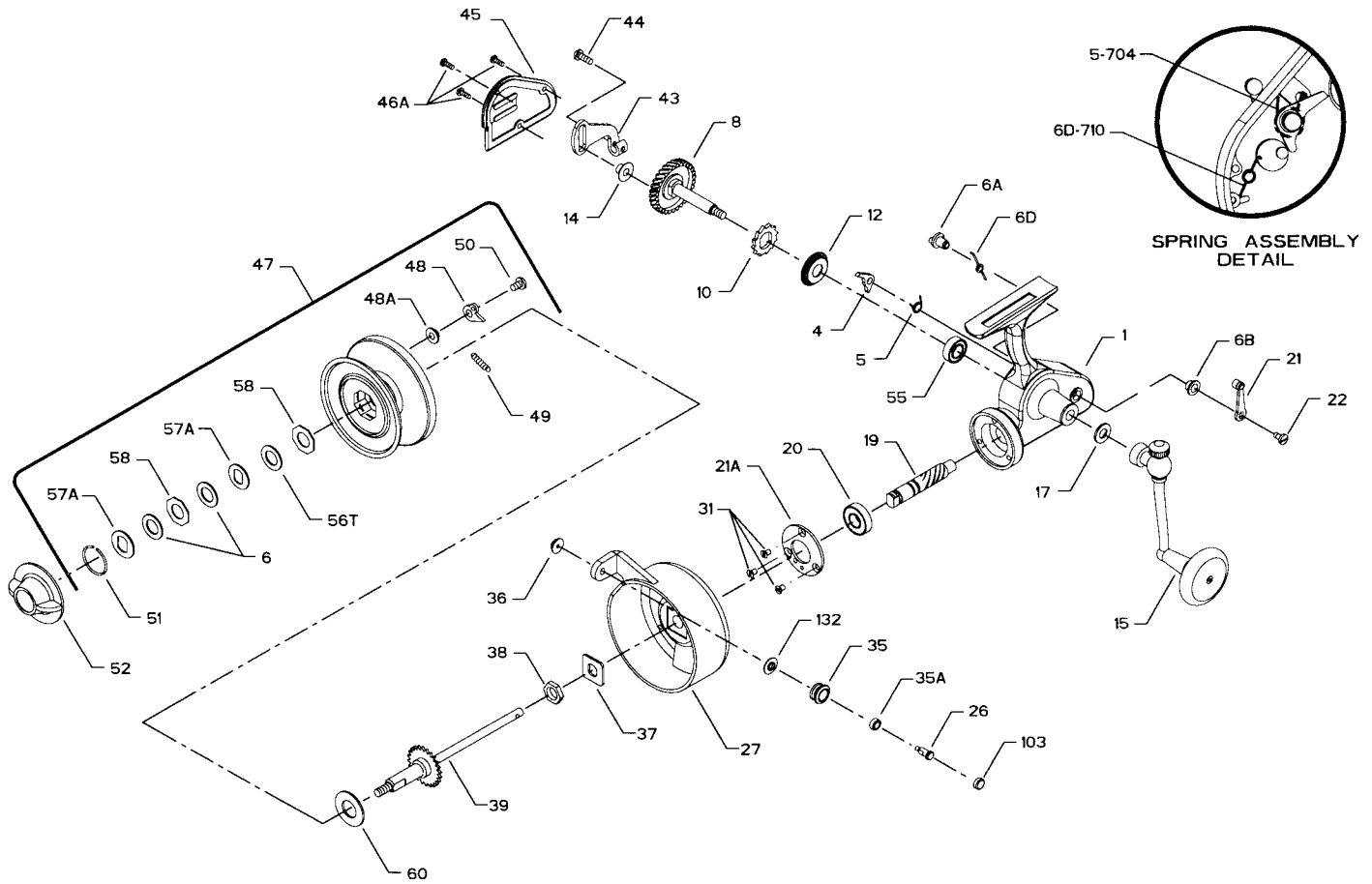




PARTS AND PRICE LIST FOR MODEL 706Z



Key No.	Part No.	Description	Price	Key No.	Part No.	Description	Price
1	1-706Z	Housing w/Bushing	\$15.60	36	36-706	Bail Lock Nut	.80
4	4-704	Dog	.80	37	37-706	Rotor Cup Washer	.60
5	5-704	Dog Spring	.50	38	38-704	Rotor Cup Nut	.45
6	6-60	Drag Washer Brake Lining (2 req.)	.70	39	39-704	Spool Shaft	6.35
6A	6A-704	Eccentric	1.10	43	43-704	Crosswind Arm	2.15
6B	6B-700Z	Eccentric Liner	.40	44	44-704	Crosswind Screw	.45
6D	6D-710	Eccentric Spring	.45	45	45-706Z	Housing Plate	2.35
8	8-704	Main Gear w/Ratchet	10.15	46A	46A-704	Retaining Screw (3 req.)	.45
10	10-704	Ratchet	1.10	47	47-706Z	Spool (Complete)	16.00
12	12-704	Main Gear Thrust Washer	.50	48	48-450	Click Tongue	.45
14	14-710	Crosswind Roller	.45	48A	48A-750	Click Tongue Washer	.45
15	15-706Z	Handle (Complete)	11.45	49	49-710	Click Spring	.45
17	17-710	Handle Washer	.50	50	22-750	Click Screw	.45
19	19-704	Pinion Gear	8.80	51	51-704	Retaining Spring	.45
20	20-704	Pinion Bearing	16.00	52	52-750	Drag Knob	5.35
21	21-109	Eccentric Lever	1.50	55	55-320	Gear Bearing	12.95
21A	21-706	Bearing Retainer	1.10	56T	56T-704	Drag Washer (Teflon [®])	.50
22	22-109	Eccentric Screw	.50	57A	57A-750	Metal Washer (2 req.)	.50
26	26-706	Roller Shaft	1.25	58	58-704	Metal Washer (Octagon) (2 req.)	.50
27	27-706Z	Rotor Cup	13.65	60	60-710	Rear Drag Washer (Teflon [®])	.70
31	31-19	Bearing Cover Screw (3 req.)	.40	103	103-706	Bearing Cap	.65
35	35-706	Line Roller	1.60	132	132-706	Roller Washer	.90
35A	35A-706	Roller Bearing	8.10				